



12LH-30W

12V 22.2W



Q-Batteries Akku 12LH-30W is an AGM battery which is specifically designed for high discharge current. Because of the big size lead plates it's possible to achieve high discharge currents.

Application:

USV, UPS, u.v.m.

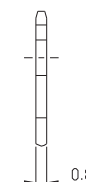
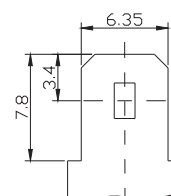
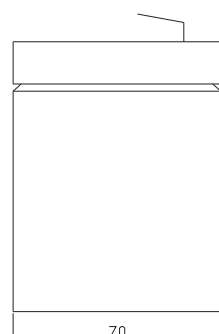
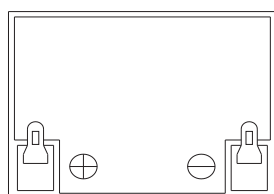
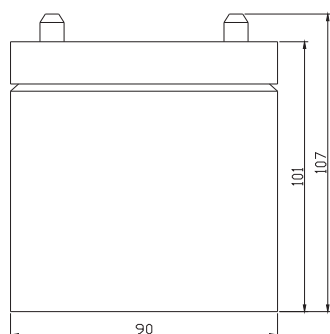


Specification:

| | | | |
|------------------------------------|---|-----------------------|---------------------------|
| Voltage Per Unit | 12V | | |
| Capacity (w) | 22.2W (15 min) cell voltage 1.65V | | |
| Capacity (Ah) | 5Ah (20h) | | |
| Cells Per Unit | 6 | | |
| Weight | ca. 1,65 kg +/- 3% | | |
| Max. Discharge Current | 55 A (5 sec.) | | |
| Internal Resistance | ca. 25m Ω | | |
| Float charging Voltage | 13,7 – 13,9 VDC bei \varnothing 25°C | | |
| Operating Temperature Range Normal | Discharge: - 20°C – 60°C | Charge: 0°C – 50°C | Storage: - 20°C – 60°C |
| Operating Temperature Range | 25°C \pm 5°C | | |
| Self Discharge | Valve Regulated Lead Acid (VRLA) batteries can be stored for more than 6 months at 25°C. Self-discharge ratio less than 3% per month at 25°C. Please charge batteries before using. | | |
| Terminal | F2 | | |
| Container Material | A.B.S. (UL94-HB) | | |

Dimensions:

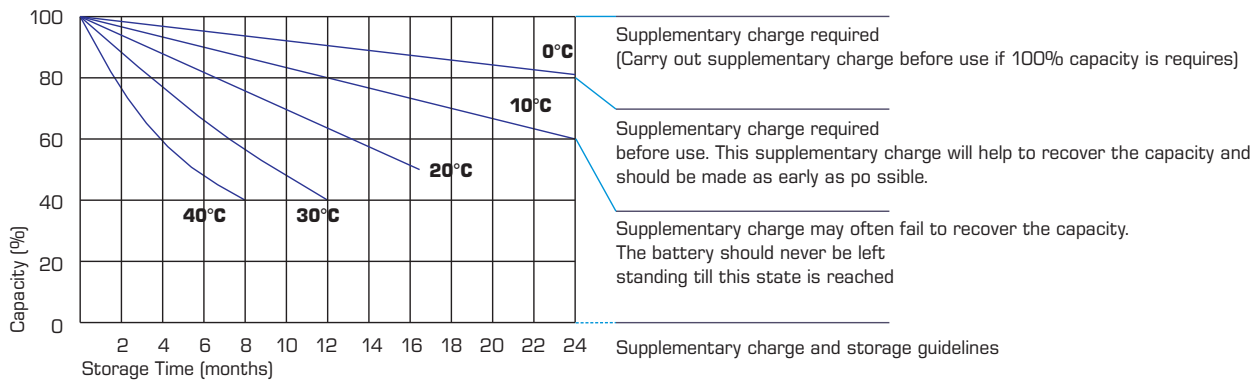
90 Length x 70 Width x 101 mm Height



Constant current discharge characteristics: A (25°C)

| F.V / Time | 5 MIN | 8 MIN | 10 MIN | 15 MIN | 20 MIN | 30 MIN | 60 MIN | 90 MIN |
|------------|-------|-------|--------|--------|--------|--------|--------|--------|
| 9.60V | 25.22 | 18.65 | 15.92 | 12.71 | 9.48 | 6.985 | 3.934 | 3.106 |
| 10.0V | 24.45 | 18.20 | 15.48 | 12.41 | 9.189 | 6.833 | 3.894 | 3.070 |
| 10.2V | 23.64 | 17.05 | 14.55 | 11.93 | 8.994 | 6.671 | 3.772 | 2.989 |
| 10.5V | 22.83 | 15.77 | 13.30 | 11.32 | 8.623 | 6.447 | 3.634 | 2.955 |
| 10.8V | 21.08 | 14.64 | 11.91 | 10.81 | 8.383 | 5.625 | 3.496 | 2.861 |
| 11.1V | 19.32 | 13.51 | 10.51 | 10.30 | 8.144 | 5.132 | 3.358 | 2.767 |

Storage characteristic:



Capacity Factors with different Temperature:

| Battery Type | | -20°C | -10°C | 0°C | 5°C | 10°C | 20°C | 25°C | 30°C | 40°C | 45°C |
|--------------|----------|-------|-------|-----|-----|------|------|------|------|------|------|
| GEL Battery | 6V & 12V | 50% | 70% | 83% | 85% | 90% | 98% | 100% | 102% | 104% | 105% |
| | 2V | 60% | 75% | 85% | 88% | 92% | 99% | 100% | 103% | 105% | 106% |
| AGM Battery | 6V & 12V | 46% | 66% | 76% | 83% | 90% | 98% | 100% | 103% | 107% | 109% |
| | 2V | 55% | 70% | 80% | 85% | 92% | 99% | 100% | 104% | 108% | 110% |

Charging Method:

Charge the batteries at least once every six months, if they are stored at 25°C

| | |
|----------------------|---|
| Constant Voltage (V) | -0.2C x 2h + 2.4-2.45V/Cell x 24h, max. Current 0.3CA |
| Constant Current (A) | -0.2C x 2h + 0.1CA x 12h |
| Fast | -0.2C x 2h + 0.3CA x 4.0h |